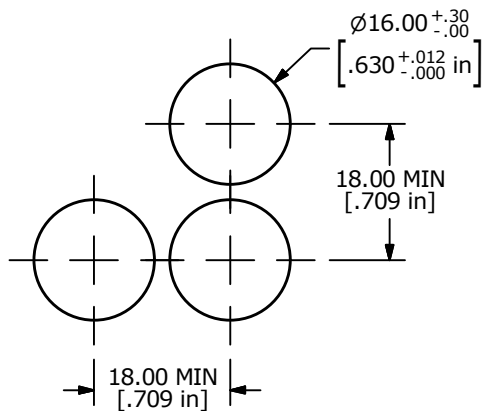
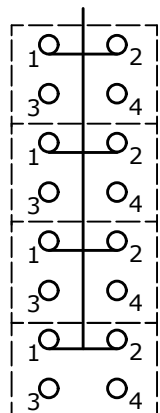


PARTS LIST

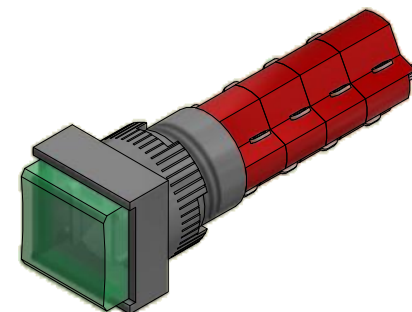
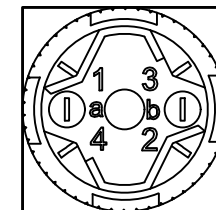
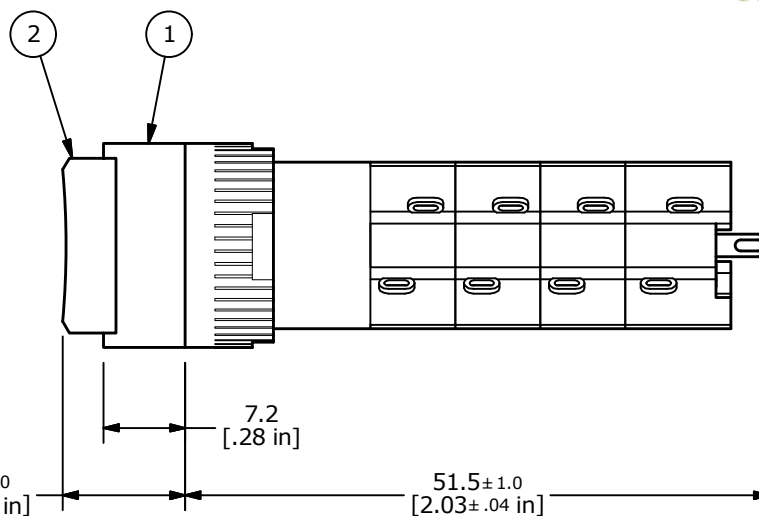
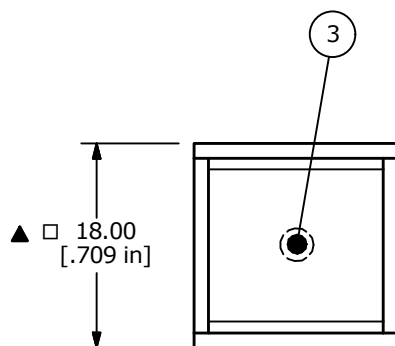
ITEM	QTY	PART NUMBER	DESCRIPTION
1	1	F040046	D16EES14
2	1	F050302	LENS, SQUARE, CONCAVE, GREEN
3	1	F050419	GREEN LED, 12VDC



PANEL MOUNTING
PANEL THK. 0.5mm - 5.0mm



a ○ ○ ○ ○ b (+)
4PDT
CONTACT CONFIGURATION



NOTE:

1. ALL DIMENSIONS IN MM [INCH].
2. GENERAL TOLERANCE: X.X = ±0.4
X.XX = ±0.25
3. TERMINAL NUMBERS FOR REF ONLY.
4. RATING: 5A @ 250 VAC, 8A @ 125 VAC
6A @ 24 VDC
5. ELECTRICAL LIFE: 50,000 OPERATIONS
6. INSULATION RESISTANCE: 1,000 MEGA-OHM MIN.
7. OPERATING TEMP.: -25°C to +55°C
- ▲ 8. LAMP VOLTAGE: 12VDC GREEN LED
9. ▲ DENOTES CRITICAL PARAMETER.
10. PACKAGE: BOX/20 PER



A	23641	RELEASED FOR PRODUCTION	10/29/18	MW
REV	PCR NO	DESCRIPTION	DATE	BY

TITLE	D16EES14JGRNGRN			
SCALE	DATE	DR	DWG	REV

1.5:1	10/29/2018	MW	XF0919P	A
-------	------------	----	---------	---

THE INFORMATION CONTAINED IN THIS DOCUMENT IS PROPRIETARY TO E-SWITCH AND IS NOT TO BE COPIED OR TRANSFERRED